

Instructions for 5200A Conversion Kit for Rowe BC 20 to a MEI Validator with Slider Bracket

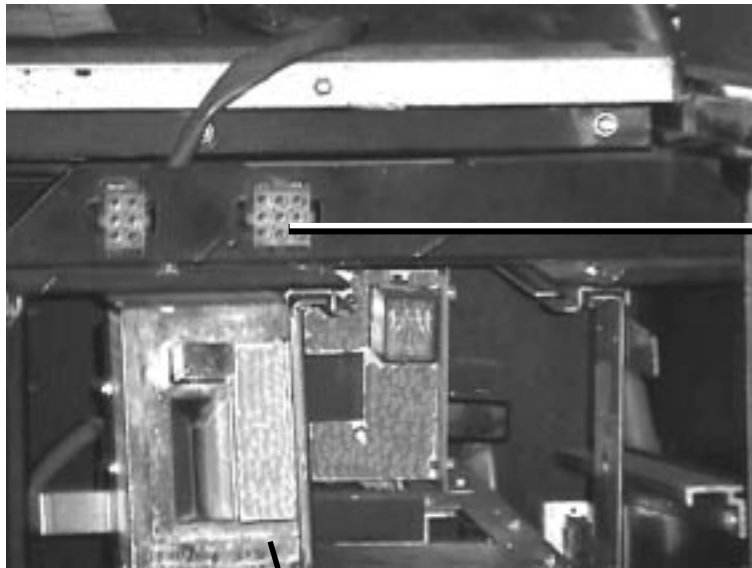
**READ INSTRUCTIONS COMPLETELY BEFORE BEGINNING INSTALLATION
TURN OFF POWER AND UNPLUG THE BILL CHANGER
BEFORE BEGINNING INSTALLATION**

REQUIRES MARS VN2511U7E with 700 Stacker (300,500 Stacker Optional)

Step 1 Remove Current Bill Transport and Stacker

- A. Unplug both transport harnesses (9 pin & 6 pin) to machine. (see figure 1)
- B. Pull out the current bill transport completely by sliding out along its track and unlatching the catch. (see figure 1).
- C. Unplug stacker 9 pin square harness connection. Remove the stacker housing/bracket by unscrewing the 2 screws holding it in place.
- D. Reinstall the 2 screws and nuts removed in Step 1C.

Figure 1 View of Bill Changer with Bill Transport Removed



Bill Transport Plug
(9 Pin)

Coin Return Knob Assembly

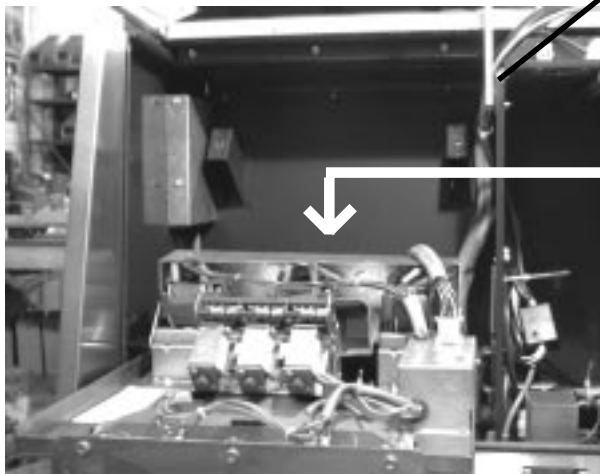
QUICK REFERENCE

MARS VALIDATOR SETTINGS
Switches 1, 2, 4, 6, and 8 ON
All other switches OFF

REV8-7.18.00

- A. Remove the hoppers by manually lifting them out of the bill changer unit.
- B. Remove dispenser mounting screws located at the top of the dispenser assembly.
- C. Tilt the dispenser forward (figure 2 & 3) and reach behind to unplug the **J204 Plug** .
- D. Locate the 5203 "Y" Harness included with the kit and plug the appropriate ends into the J204 plug (figure 3) and the machine. Run the harness along the back of the unit to the other side of the divider wall. The other end will plug into the matching plug on the 5185 Main Box Assembly to be installed in Step 4.
- E. Put the dispenser and hoppers back into place.

Figure 2
View of Dispenser tilted forward

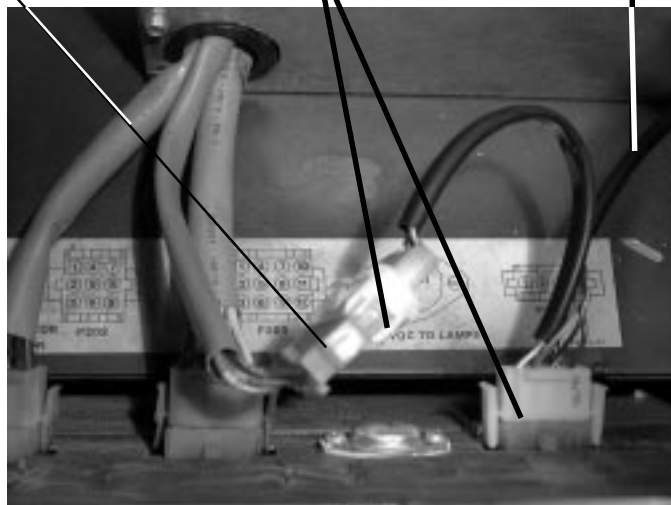


Harness formerly plugged into J204, now plugged into 5203 "Y" harness

5203 "Y" harness attached

5203 Harness going to 5185 Main Box Assy.

Figure 3
View from behind Dispenser looking down at J204 Plug



Step 3 Install 5184 Slider Bracket and Validator

- A. Set the following switches of the Mars validator to the ON position: 1, 2, 4, 6 and 8.
- B. Mount the Mars validator **upside down** to the slider bracket using the keps nuts included with the kit. This bracket simply slides on the tracks where the stacker was located before being removed in Step 1B. Make sure that the face of the validator is centered in the hole of the bracket. See Figure 4.
- C. Attach the two adhesive backed clips 4" to 6" apart to the underside of the slider bracket. They will be used to direct wires away from the validator later in the installation.
- D. Affix label to the front of the of the slider bracket. See Figure 5.
- E. Attach the yellow and green grounding wire to the slider bracket on the stud shown in Fiure 6.
- F. Put the slider bracket/validator assembly to the side.

Figure 4

Mounting the validator to hte slider bracket



Figure 6

yellow/green wire attaches here to slider bracket

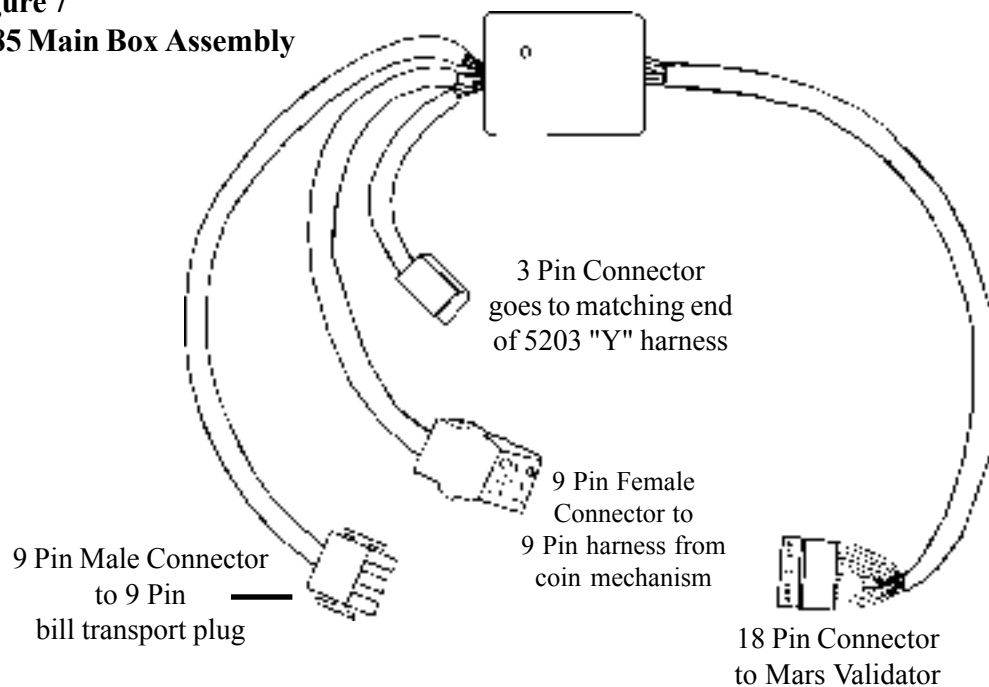


Figure 5

View of Slider Bracket in place with label.

- A. Unplug the 9 pin harness from the coin mechanism and plug the **female** 9 pin connector from the main box assembly into the appropriate 9 pin male connector.
- B. Plug the **male** 9 pin conector from the box assembly into the bill transport plug (see Figure 1, page 1).
- C. Plug the 18 pin connector from the main box assembly into the side of the Mars validator.
- D. Plug 3 pin connector into matching end of 5203 "Y" Harness.

Figure 7
5185 Main Box Assembly



Step 5 Install the Power Harness (5186)

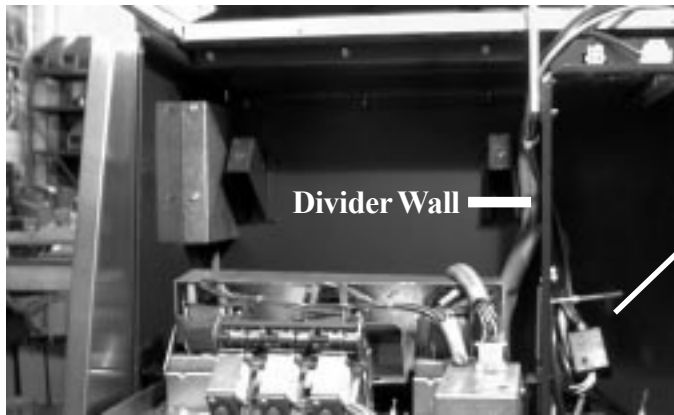
- A. Plug the 8 pin connector from the 5186 power harness included with the kit into the stacker plug. The other end plugs into the Mars Validator.

STEP 5 Dress the Harness using cable ties and holders enclosed

The following is only a suggested way of running the wires. You can use your own discretion as to how you want to dress the wires:

The 5185 Main Box Assembly will be located on the right side of the divider wall behind the coin acceptor. Use cable ties and adhesive backed clips to mount the box along the wall so that it is as easy to access as possible when the slider bracket is removed (Figure8).

Figure 8



The Main Box Assembly will mount along the right side of the wall behind the coin acceptor.



Step 7 Computer Board and Validator Switch Setting

- A. Make sure Mars validator switches 1, 2, 4, 6, and 8 are ON. All others OFF.
- B. With a \$1 board, use the 50 cent payout for \$5, and 25 cent payout for \$2.

Step 8 Test Vend the bill changer

Parts included with kit:

Part Number	Description	Qty.
5185	Main Box Assembly	1
5186	Power Harness-110V	1
5184	Slider Bracket	1
5184A	Stop Kit for bracket	1
5203	“Y” Harness	1
5225A	Label-For Slider Bracket	1

Hardware:

7344	Carriage Bolt-1/2"	1
7260	Hex Nut-1/4-20	1
7261	Lock Washer-1/4-20	1
7207	Keps Nut-8-32	7
4601	Cable Tie-5 1/2"	6
4650	Tie Mount	6
4652	Adhesive Backed Clip	6
MIS492	Velcro-Hook	2"
MIS493	Velcro-Loop	2"